

Pilot Solenoid Valve Plastic

Construction


The directly controlled GEMÜ 3/2 way solenoid valve consists of a solenoid encapsulated in plastic and a plastic valve body. A connector socket provides a connection to electrical supply. A manual override is integrated as standard.

GEMÜ 332: This variant is designed for battery mounting of up to 12 units (by using clips) depending on the devices to be controlled.

GEMÜ 334: For direct mounting to pneumatically operated valves or other devices (inlet and outlet arranged at an angle of 90°).

GEMÜ 336: Compact valve battery with aluminium distribution rail for mounting in switch gear cubicles or as a valve manifold near the pneumatic components to be controlled.

Features

- Suitable for the control of pneumatic equipment such as valves, cylinders or motors
- Suitable for the control of commonly used inert compressed gases
- Normally closed
- ATEX marking:  II 3 GD EEx nA II T3 T 150°C

Advantages

- Simple connection to industrial control systems due to its low power consumption
- Hermetic separation of the working medium from the solenoid system
- Solenoid replaceable without tools without interrupting the closed control air flow ("dry system")
- Accessories for GEMÜ 336:
- battery rails and blanking plates



GEMÜ 332

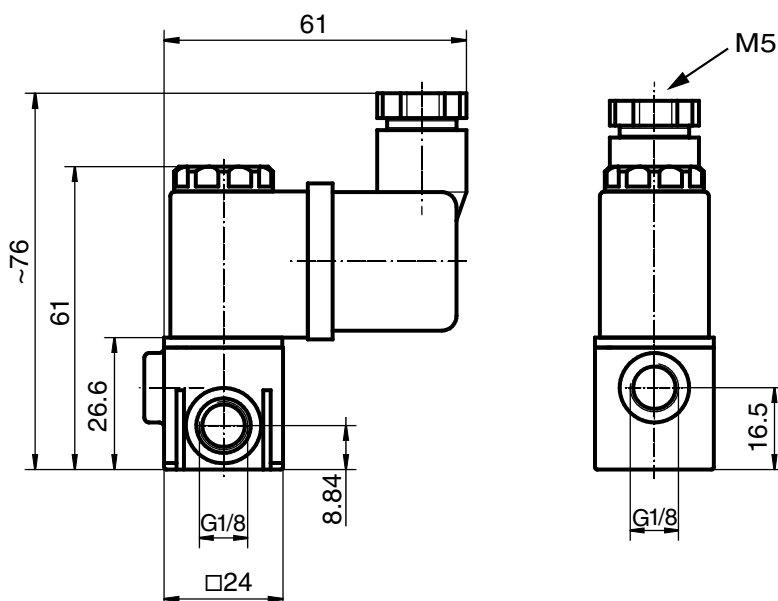


GEMÜ 334



GEMÜ 336

Dimensions - GEMÜ 332 single mounting [mm]



Further dimensions see page 3.

Technical data

Working medium

Chemically inert gases	
Temperature range of working medium	-15 to +50 °C
Working pressure	0 - 10 bar

Ambient conditions

Ambient temperature	-15 to +50 °C
---------------------	---------------

Rating

Continuously rated

Power consumption

Supply voltage [V]	Frequency [Hz]	Pull in current	Hold in current
24	DC	4.8 W 2.5 W*	-
24	50	9.6 VA 5.0 VA*	7.1 VA
24	60	8.3 VA	5.8 VA
120	50	10.3 VA	7.8 VA
120	60	8.8 VA	6.3 VA
230	50	9.4 VA	8.1 VA
230	60	6.9 VA	5.6 VA

* Max. operating pressure 6 bar

Max. switching frequency

3600 times/hour

Switching time

20 ms

Permissible voltage tolerances

-15 / +10 %

Protection class

IP 65

Installation note

If installed in switch gear cubicles adequate ventilation must be provided.

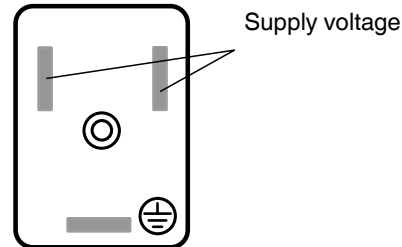


Approval (24V DC, 230V 50/60 Hz)

Explosion protection marking acc. to ATEX
II 3 GD EEx nA II T3 T 150 °C

Type examination certificate KEMA 04 ATEX 1011 X

Connection diagram for plug Form B (Industrial standard)



Electrical connection

Standard connector socket, form B (Industrial standard)

Kv value

Normally closed 0.05 m³/h

Weight

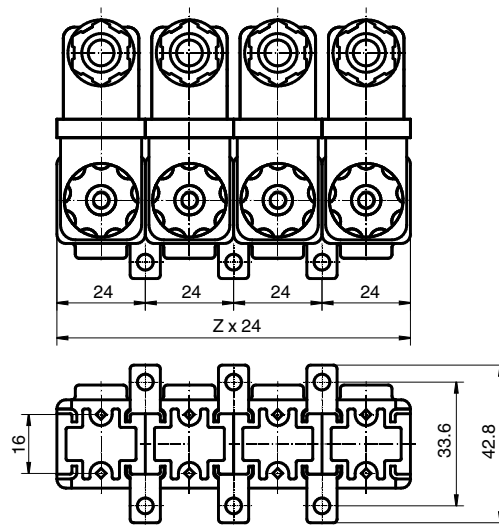
GEMÜ 332: 114g / GEMÜ 334: 133g / GEMÜ 336: 107g

Order data - Accessories (only for GEMÜ 336)

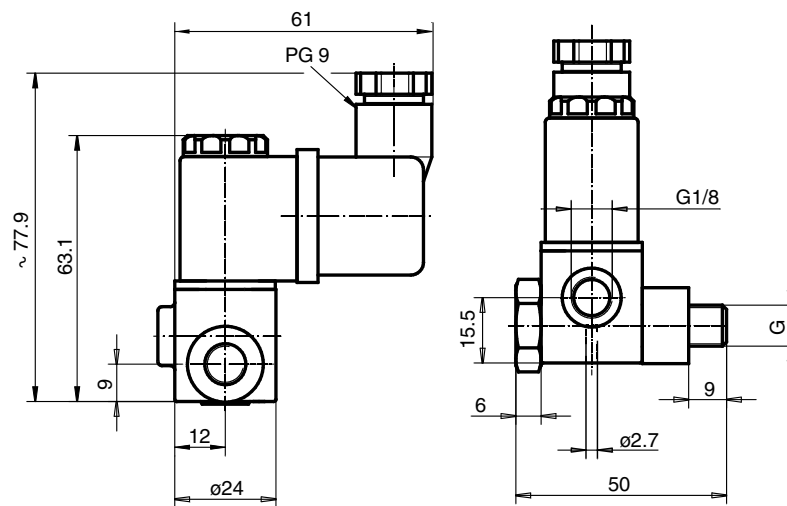
Type	Accessories	Order no.									
336	Battery rail	2-fold	336	000	Z	BR	14		02		
		3-fold	336	000	Z	BR	14		03		
		4-fold	336	000	Z	BR	14		04		
		5-fold	336	000	Z	BR	14		05		
		6-fold	336	000	Z	BR	14		06		
		7-fold	336	000	Z	BR	14		07		
		8-fold	336	000	Z	BR	14		08		
		9-fold	336	000	Z	BR	14		09		
		10-fold	336	000	Z	BR	14		10		
	Blanking plate	336	000	Z	BL	75	4				

Dimensions [mm]

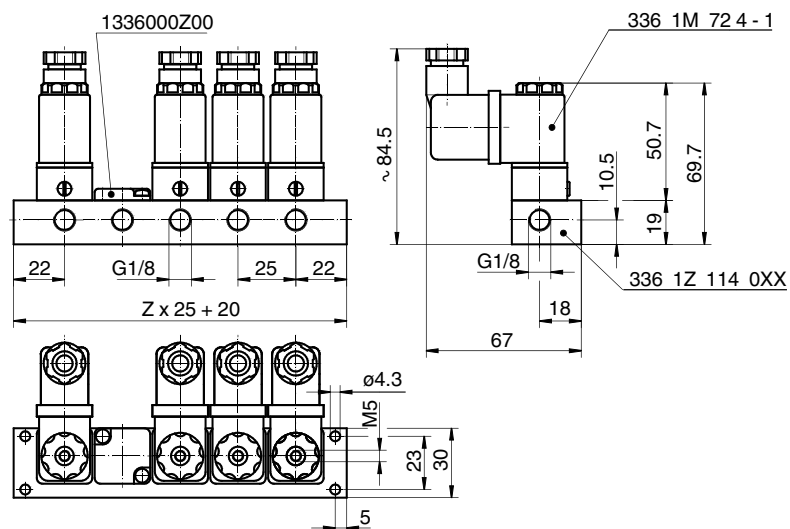
GEMÜ 332 battery mounting version



GEMÜ 334 for direct mounting



GEMÜ 336 valve manifold



Order data

Type	Code
Solenoid valve for single mounting / battery mounting	332
Solenoid valve for direct mounting	334
Solenoid valve for mounting to battery rail	336

Nominal size	Code
	1

Body configuration	Code
Multi-port version	M

Connection	Code
Threaded sockets DIN ISO 228 (GEMÜ 332)	1
Threaded sockets DIN ISO 228 (GEMÜ 334) Hollow bolt G 1/4	14
Threaded sockets DIN ISO 228 (GEMÜ 334) Hollow bolt G 1/8	18
Threaded sockets DIN ISO 228 (GEMÜ 334) Hollow bolt M5	M5
Connection for GEMÜ battery rail (GEMÜ 336)	-

Valve body material	Code
PBTP (GEMÜ 332, 334)	25
PPS (GEMÜ 336)	72

Seal material	Code
FPM	4

Control function	Code
Normally closed (NC)	1

Voltage/Frequency	Code
24 V DC	C1
24 V 50/60 Hz	C4
120 V 50/60 Hz	G4
230 V 50/60 Hz	L4
Other voltages on request	

Electrical connection	Code
Plug type B without cable socket	00
Plug type B with cable socket, without cable	01

Option	Code
Without	00
Silencer	03

Max. operating pressure	Code
6 bar (only Voltage/Frequency Code C1, C2)	06
10 bar	10

Design	Code
Standard	-
Without paint adhesion interfering substances such as silicone	0101

Order example	332	1	M	1	25	4	1	C1	01	00	10
Type (code)	332										
Nominal size (code)		1									
Body configuration (code)			M								
Connection (code)				1							
Valve body material (code)					25						
Seal material (code)						4					
Control function (code)							1				
Voltage/Frequency (code)								C1			
Electrical connection (code)									01		
Option (code)										00	
Max. operating pressure (code)											10
Design (code)											

Order data for GEMÜ 336 accessories see page 2

For further solenoid valves, accessories and other products,
please see our Product Range catalogue and Price List. Contact GEMÜ.

GEMÜ® VALVES, MEASUREMENT
AND CONTROL SYSTEMS

