

Solenoid Valve, Metal

Construction

GEMÜ 8303 2 M is a 3/2-way solenoid valve is directly controlled and GEMÜ 8303 002 M is required with differential pressure. The body is made of brass or stainless steel. The plastic encapsulated coil is detachable. The electrical connection is made via a plug to DIN EN 175301-803 form A.

Features

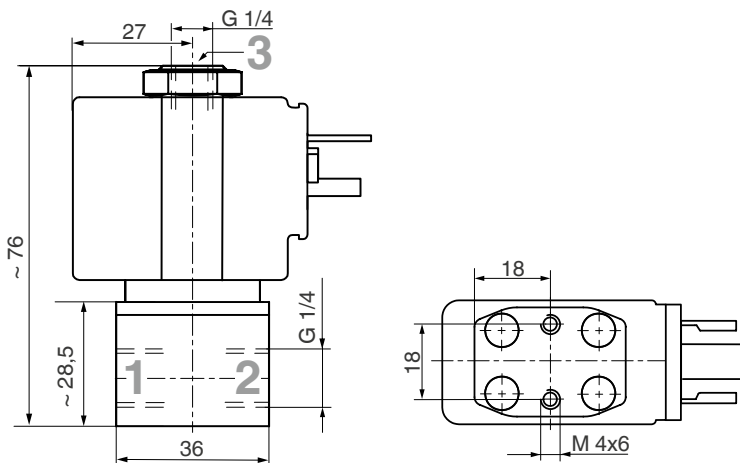
- Filtered, lubricated or unlubricated compressed air is a suitable working medium

Advantages

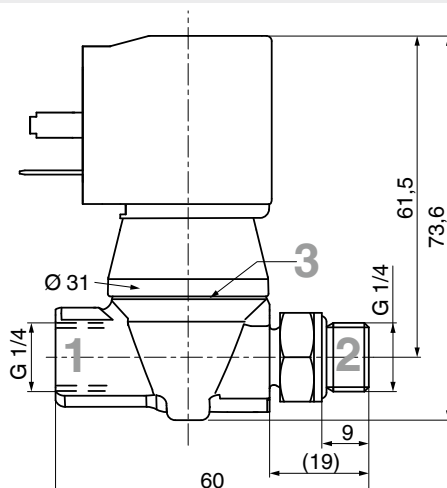
- The valve can be mounted in any position
- Standard venting G1/8 thread (GEMÜ 8303 2 M)
- The coil can be replaced without removing the valve body from the pipeline
- Compact design
- Low power consumption

Dimensions [mm]

GEMÜ 8303 2 M ...



GEMÜ 8303 002 M ...



GEMÜ 8303 2 M



GEMÜ 8303 002 M

GEMÜ 8303 2 M ...

Technical data

Operating medium

Filtered, lubricated or unlubricated compressed air, which has no negative impact on the physical and chemical properties of the body and seal material.

Perm. temperature of working medium -10° C to +80° C

Technical data

Rating	continuously rated
Protection class	IP 65
Power consumption	
AC operation pull in / hold in	9.2 VA
DC operation	8 W

Permissible voltage tolerance

±10 % to VDE 0580

Nominal size	Operating pressure	Flow rate value	Weight
[DN]	[bar]	[l/min]	[kg]
2	0 - 10	120	0.4

Order data

Body configuration

Code

Multi-port

M

Connection

Code

Threaded sockets DIN ISO 228

1

Valve body material

Code

CW617N, Brass

12

Seat material

Code

NBR, Perbunan N

2

Control function

Code

Normally closed

1

Normally open

2

Supply voltage

Code

24V DC

24

24V 50 Hz AC

24

110V 50 Hz AC

110

230V 50 Hz AC

230

Other voltages and Ex-version on request.

Frequency

Code

50 Hz

50

DC

DC

Order example	8303	2	M	1	12	2	1	230	50
Type	8303								
Nominal size		2							
Body configuration (code)			M						
Connection (code)				1					
Valve body material (code)					12				
Seat material (code)						2			
Control function (code)							1		
Supply voltage (code)								230	
Frequency (code)									50

Order information

Direct mounting to valves with G 1/4" thread with double threaded nipple type GEMÜ 1755

GEMÜ 8303 002 M ...

Technical data

Operating medium

Filtered, lubricated or unlubricated compressed air, which has no negative impact on the physical and chemical properties of the body and seal material.

Perm. temperature of working medium -10° C to +60° C

Permissible voltage tolerance

±10 % to VDE 0580

Technical data

Einschaltdauer		100 % ED
Schutzart		IP 65
Schaltzeit	Ein	8.5 ms
	Aus	30.4 ms

Power consumption

C operation	pull in	15 VA
	hold in	12 VA
DC operation		8 W

Nominal size	Operating pressure	Flow rate value	Weight
[DN]	[bar]	[l/min]	[kg]
2	1 - 10	82	0.4

Order data

Body configuration

Code

Multi-port	M
------------	---

Connection

Code

Threaded sockets DIN ISO 228	1
------------------------------	---

Valve body material

Code

CW617N, Brass	12
1.4581, stainless steel	38

Seat material

Code

NBR, Perbunan N	2
-----------------	---

Control function

Code

Normally closed	1
-----------------	---

Supply voltage

Code

24V DC	24
24V 50 Hz AC	24
110V 50 Hz AC	110
230V 50 Hz AC	230
Other voltages and Ex-version on request.	

Frequency

Code

50 Hz	50
DC	DC

Special function

Code

ATEX-Version:  II 2 G EEx m II T4 II 2 D T130°C	X
--	---

Order example	8303	002	M	1	12	2	1	230	50	-
Type	8303									
Nominal size		002								
Body configuration (code)			M							
Connection (code)				1						
Valve body material (code)					12					
Seat material (code)						2				
Control function (code)							1			
Supply voltage (code)								230		
Frequency (code)									50	
Special function (code)										-